



viridian

GREEN LASER SIGHTS

X5L

OPERATORS MANUAL

Congratulations on your purchase of a Viridian®, the finest and most visible laser sight available. Please read and follow the instructions in this manual to get the most out of your Viridian Green Laser Sight.

YOUR PACKAGE INCLUDES:

- 1 Viridian Green Laser Sight
- 2 Windage/Elevation Adj. Hex Wrenches (Smaller sized)
- 1 CR123A Battery (3 Volt Lithium)
- 1 Rail Set System
- 4 Rail Set Screws (3/8 inch)
- 2 Rail Screw Removal Hex Wrenches (Larger sized)
- 2 Gun Mounting Screws (1 ¼ inch)

DO NOT RETURN THIS PRODUCT TO THE STORE! If you experience any problems with your product or are missing parts, please contact us for assistance. We want to help you!
SUPPORT@VIRIDIANGREENLASER.COM OR 1-800-990-9390

TABLE OF CONTENTS

Warnings and Cautions	3
Safety Summary	5
Installing Battery	7
Viridian Diagram (Figure A)	8
Changing the Rail Set™	9
Mounting	10
Dismounting	11
Operation/SMARTLASER™ Technology	12
Operational Modes (Table A)	13
Zeroing Procedures	15
General Information	17
Maintenance	18
Warranty	19
Service	21

WARNINGS

1. Before handling any firearm with a Viridian, read and understand the entire contents of your firearm manual provided as well as the Viridian manual, especially the safety precautions and procedures for safe firearms handling.
2. Failure to follow the correct safety precautions and safe firearms handling techniques outlined in your firearm and Viridian operator's manuals when handling a firearm with the Viridian can result in serious injury, damage to property, or death.
3. Always practice safe firearms handling techniques when handling a firearm with or without the Viridian.
4. Never point a firearm, with or without the Viridian attached, at anything or anyone that you do not intend to shoot.
5. Once the Viridian is attached to a firearm, the firearm will be pointed at anything to which the Viridian is directed. Do not point the Viridian at anything or anyone that you do not intend to shoot.
6. The activation buttons on the Viridian allow you to operate the laser without placing your finger inside the trigger guard. Always keep your fingers off the trigger and outside the trigger guard until you are ready to fire the weapon.
7. Always verify that the chamber of the weapon is empty or "clear" before attempting to mount or dismount the Viridian. Follow the "clearing" procedures as set forth in the manual for your firearm.

WARNINGS CONT.

8. Always remove the Viridian from the firearm when performing maintenance or cleaning of the Viridian or when replacing battery.

9. Always make sure the weapon is “clear” and on safe before making windage/ elevation adjustments.

4 10. Failure to follow any of the safety warnings listed above when handling a firearm and/or the Viridian can be dangerous and can result in serious injury, damage to property, or death.

11. Do not operate the Viridian around cleaning solvents or flammable/ combustible materials. Avoid use of the Viridian in environments involving a flammable atmosphere or gasses, such as evaporated gasoline.

Do not use the Viridian in areas where gasoline, paints and solvents or other flammable liquids are stored.

12. The Viridian should be tested periodically during periods of non-usage to ensure its proper functioning. When anticipating usage of and reliance upon the Viridian, check the Viridian beforehand to ensure proper working order.

13. Proper functioning of the Viridian is dependent upon an adequately charged battery. Use care when handling battery. Any battery may leak harmful chemicals which may damage skin, clothing, the Viridian, or the gun itself. To avoid risk of injury, do not let any material leaked from a battery come in contact with eyes or skin. Do not expose battery to excessive heat. Follow battery manufacturers’ instructions as to proper handling, storage and disposal of battery.

SAFETY SUMMARY

VIRIDIAN WARNING LABEL

Output Power: <5 mW

Wavelength: 532nm

Class IIIa Laser Product



SAFETY SUMMARY **CONT.**



DO NOT stare into the green laser beam.

DO NOT look into the green laser beam through binoculars or telescopes.

DO NOT point the green laser beam at mirror-like surfaces.

DO NOT shine the green laser beam into or near anyone's eyes.

DO NOT point the green laser at any person, animal, or moving vehicle, including aircraft.

INSTALLING BATTERY

1. Your Viridian's CR123A battery resides within the housing located behind the Tactical Light Lens on your Viridian. This battery design allows you to change your battery without removing your Viridian from your firearm.

(See Figure A)

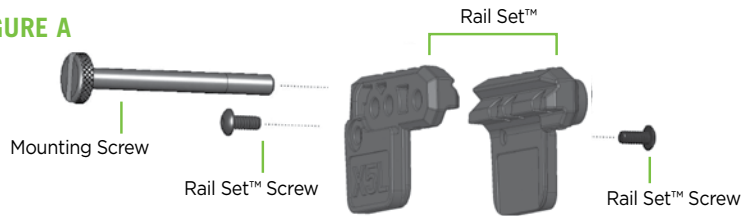
2. To access the Battery Compartment simply turn the Tactical Light Lens counterclockwise and remove.

3. Slide the CR123A Battery (3 Volt Lithium) into the housing positive side (+) first. Once the battery is in place, the positive side (+) should be to the back, and the negative side (-) to the front of your Viridian.

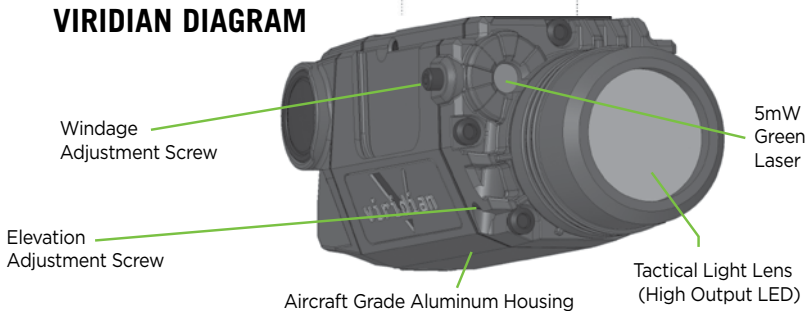
4. To secure battery into place, line up the threading of the Tactical Light Lens and turn clockwise until it reaches its stopping point.

X CAUTION TEST VIRIDIAN PERIODICALLY DURING PERIODS OF NON-USAGE TO ENSURE ADEQUATE BATTERY LEVELS.

FIGURE A



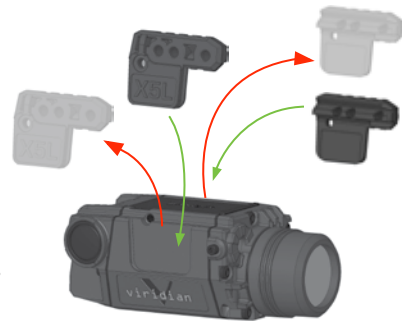
VIRIDIAN DIAGRAM



CHANGING THE RAIL SET

For more information or to purchase Viridian Rail Sets™ for harder to fit weapons (such as HK USP or S&W Sigma), please visit us online at www.ViridianGreenLaser.com.

1. Using larger sized hex wrench, unscrew Rail Set™ Screw on each side of Viridian®
2. Remove each Rail Set™ by pulling upward
3. Insert new Rail Set™ on each side of Viridian®
4. Lightly tighten each Rail Set™ Screw (premature tightening of Rail Set™ Screws may prevent Viridian® installation onto rail of your firearm)



YOU ARE NOW READY TO INSTALL YOUR VIRIDIAN ONTO THE RAIL OF YOUR FIREARM. Once your Viridian® is properly mounted onto your firearm, full tightening of Rail Set™ Screws will further ensure a rock solid hold. DO NOT OVERTIGHTEN RAIL SET™ SCREWS. DOING SO MAY RESULT IN STRIPPED RAIL SET™ SCREW HEAD.

MOUNTING

1. Align the grooves within the Rail Set™ of your Viridian with the grooves on the rail of your firearm and slide rearward until your Viridian reaches the front of your firearm's trigger guard.

2. Due to multiple hole positions on the pre installed Rail Set, one set of holes within the sides of the Rail Set™ should align with the cross slot of the accessory rail under your firearm. It is OK to slide your Viridian slightly forward (away from the trigger guard) to achieve this alignment.

3. Insert the Mounting Screw and turn it clockwise until firmly tightened. A flat head screw driver or coin can be used here. If possible, install both mounting screws to ensure absolute tightness.

X WARNING ALWAYS MAKE SURE THE WEAPON IS CLEAR AND ON SAFE BEFORE ATTEMPTING TO MOUNT OR DISMOUNT VIRIDIAN FROM YOUR WEAPON. NEVER PUT YOUR HAND IN FRONT OF THE MUZZLE OF A FIREARM. ALWAYS KEEP YOUR FINGER AWAY FROM THE TRIGGER UNTIL YOU ARE READY TO FIRE.

DISMOUNTING

1. To dismount the Viridian from your weapon, loosen and remove the Mounting Screw in a counterclockwise direction. Store your Mounting Screw in a secure place such as your original Viridian packaging.

2. Your Viridian is now ready to be removed from your handgun. Slide the Viridian forward and away from the trigger guard to remove it from your weapon. Slight loosening of both Rail Set Screws™ may ease removal of unit. Always take great care to NEVER put your hand in front of the muzzle of your firearm.

X WARNING ALWAYS MAKE SURE THE WEAPON IS CLEAR AND ON SAFE BEFORE ATTEMPTING TO MOUNT OR DISMOUNT VIRIDIAN FROM YOUR WEAPON. NEVER PUT YOUR HAND IN FRONT OF THE MUZZLE OF A FIREARM. ALWAYS KEEP YOUR FINGER AWAY FROM THE TRIGGER UNTIL YOU ARE READY TO FIRE.

OPERATION / SMARTLASER TECHNOLOGY™

The Viridian X5L has unprecedented user programmability options never seen before in a commercially available weapon mounted device.

Your Viridian's activation is completely ambidextrous. Simply press either right or left button to activate or deactivate your Viridian X5L in any of its modes.

Holding either button in for longer than 3/4 second will activate your Viridian in momentary mode. In this case your Viridian will turn off upon release of the button.

In the event your Viridian is accidentally left on, it will shut down in approximately 10 minutes after a brief warning period. If you wish to keep the power on, simply press either button. This will reset the power down timer.

The Viridian X5L has a total of 6 unique user modes (See Table A). To cycle through these modes simply press and release both right and left buttons at the same time while the unit is on.

For those that desire even more user programmed versatility, hold down both buttons for 3 seconds to engage Deep Programming Mode. This will allow customized frequencies of pulse rates of both light and laser as well as adjustable LED lumen output.

TABLE A X5L

MODE*	LASER	LIGHT	DEEP PROGRAMMING**
1	Constant		NA
2	Constant	Constant	LIGHT DIMMER - Starts at highest lumen, steps down to medium, then low, then back to high, each step is approx. ½ second
3	Constant	Strobe	LIGHT FREQUENCY OF STROBE - Starts at an ideal 20Hz*** steadily proceeds upward until peak of 40Hz, ½ second pause****, jumps to bottom at 1Hz, ½ second pause, then proceeds up to ideal 20Hz, ½ second pause and then repeats
4	Pulse		LASER FREQUENCY OF PULSE - Starts at ideal 10Hz, steadily proceeds upward until peak of 20Hz, ½ second pause, jumps to bottom at 1Hz, then proceeds up to ideal 10Hz, ½ second pause and then repeats
5	Pulse	Constant	LIGHT DIMMER - Starts at highest lumen, steps down to medium, then low, then back to high, each step is approx. ½ second
6		Constant	LIGHT DIMMER - Starts at highest lumen, steps down to medium, then low, then back to high, each step is approx. ½ second

*To change modes press and release both buttons at the same time while the unit is on.

**To enter Deep Programming mode hold down both buttons for greater than 3 seconds. Continue to hold down both buttons to observe these Deep Programming changes. Release both buttons to lock in your Deep Programming change.

***Hz or Hertz is a unit of frequency and is defined as the number of cycles per second. As used here it is the number of pulses per second whether light or laser.

****The ½ second pause is to allow you a moment to release both buttons so you know you are at either the bottom, ideal, or top frequency.

Your Laser/Light mode selections and Deep Programming setting will always be stored for the next use of your Viridian.

Removing the battery will return your Viridian to factory default settings. (Mode 1 Constant Laser Only)

X WARNING NEVER PUT YOUR HAND IN FRONT OF THE MUZZLE OF A FIREARM. ALWAYS KEEP YOUR FINGER AWAY FROM THE TRIGGER UNTIL YOU ARE READY TO FIRE. ALWAYS MAKE SURE THE WEAPON IS CLEAR AND ON SAFE BEFORE MOUNTING OR DISMOUNTING ANY ACCESSORY ONTO YOUR FIREARM.

ZEROING PROCEDURES

X WARNINGS BEFORE HANDLING ANY FIREARM WITH THE VIRIDIAN, READ AND UNDERSTAND THE ENTIRE CONTENTS OF YOUR FIREARM MANUAL AND THE VIRIDIAN MANUAL, ESPECIALLY THE SAFETY PRECAUTIONS AND PROCEDURES FOR SAFE FIREARMS HANDLING.

ALWAYS CHECK TO SEE IF THE CHAMBER OF THE WEAPON IS EMPTY OR “CLEAR” BEFORE ATTEMPTING TO MOUNT OR DISMOUNT THE VIRIDIAN. FOLLOW THE “CLEARING” PROCEDURES AS SET FORTH IN THE MANUAL FOR YOUR FIREARM.

BE SURE OF YOUR TARGET AND BACKGROUND BEFORE FIRING. WHEN YOU SQUEEZE THE TRIGGER, YOU MUST EXPECT THE PISTOL TO FIRE AND YOU MUST TAKE FULL RESPONSIBILITY FOR FIRING IT.

1. Set up a target with a clearly visible aiming point.
2. Mount the Viridian onto the weapon's accessory mounting rail (see “Mounting” procedures).
3. Turn ON the Viridian. (see “Operation” procedures).

X CAUTION DO NOT FORCE WINDAGE AND ELEVATION SCREWS BEYOND THEIR INTENDED TRAVEL.

4. While aiming the pistol through the iron sights, use one of the two provided adjustment wrenches (smaller sized) to adjust the visible green point of the Viridian. Turn the windage and elevation wrench to superimpose the Viridian's aiming point over the weapon's iron sight aiming point.

5. Aim and fire a three round shot group into the center of the target's aiming point.

6. Compare the impact point of the shot group to where the Viridian's aiming point was on the target to ensure they line up.

7. Make the necessary adjustments to the Viridian to ensure its aiming point and the shot group are aligned.

8. Turn the unit OFF.

An alternative way to align the Viridian is to hold the green aiming point perfectly fixed to the center of the intended target and then adjust windage and elevation so that your green aiming point is brought to the center of your previous shot grouping. The gun and the Viridian must remain in a fixed position while making these adjustments.

X WARNING NEVER PUT YOUR HAND IN FRONT OF THE MUZZLE OF A FIREARM. ALWAYS KEEP YOUR FINGER AWAY FROM THE TRIGGER UNTIL YOU ARE READY TO FIRE. ALWAYS MAKE SURE THE WEAPON IS CLEAR AND ON SAFE BEFORE MAKING WINDAGE/ELEVATION ADJUSTMENTS.

GENERAL INFORMATION

Separate modes allow for individual laser recognition in tactical team situations. Constant beam mode will give you the maximum laser visibility; however, using one of the laser pulsing modes will maximize battery life. Battery life, (with laser on only), will increase from approx. 7+ hours in constant to 10+ hours in the pulsing modes. With laser and tactical light on (high output) battery life will be approximately 60 minutes.

Your Viridian green laser is equipped with APC circuitry. This maintains constant laser power output for a consistently bright aiming point. In the event of excess internal heat buildup you may temporarily experience reduced laser power output. This is by design and will not damage your laser. This condition may be more prevalent with heavy use of the LED while the laser is on or in extremely hot environments.

MAINTENANCE

Front Lens Cleaning:

Use a moistened cotton swab to periodically clean the front lens of gun powder residue. This step is important to prevent any degradation in the quality of the green aiming point and/or beam.

18 Exterior Of Unit:

Clean the Viridian by wiping with a soft, damp cloth. Standard gun cleaning solvents may be used to clean stubborn areas.

Electrical Contacts:

For cleaning of all electrical contacts, use a cotton swab dipped in alcohol. To remove heavy build-up on the contacts, carefully rub with a standard pencil eraser (be sure to thoroughly remove eraser residue).

X WARNINGS ALWAYS CHECK TO SEE THAT THE CHAMBER OF THE WEAPON IS EMPTY OR “CLEAR” BEFORE ATTEMPTING TO MOUNT OR DISMOUNT THE VIRIDIAN. FOLLOW THE “CLEARING” PROCEDURES AS SET FORTH IN THE MANUAL FOR YOUR FIREARM. MAKE SURE THE WEAPON IS CLEAR AND ON SAFE BEFORE PROCEEDING. PRIOR TO CLEANING, DISMOUNT THE VIRIDIAN FROM YOUR WEAPON AND REMOVE THE BATTERIES. IT IS RECOMMENDED THAT YOU CLEAN YOUR ACCESSORIES PERIODICALLY TO ENSURE PROPER WORKING CONDITION.

X CAUTION DO NOT USE ACIDIC OR FLAMMABLE CLEANING COMPOUNDS.

LIMITED WARRANTY

LASER AIMING SYSTEMS CORPORATION 12 MONTH LIMITED WARRANTY

Laser Aiming Systems Corporation warrants for 12 months after purchase that its products will be free from defects in material and workmanship. Laser Aiming Systems Corporation will repair or replace, at its option, any product or part (with the exception of the battery) which is found to be defective under normal use and service, without charge. Laser Aiming Systems Corporation's obligation to repair or replace, at Laser Aiming System's option, shall be the purchaser's sole and exclusive remedy under this warranty.

Warranty does not cover battery leakage; contact battery manufacturer in this event. This warranty extends only to the original owner.

THERE ARE NO WARRANTIES, EXPRESS OR IMPLIED, OTHER THAN AS SET FORTH ON THIS PAGE, AND LASER AIMING SYSTEMS CORPORATION DISCLAIMS ANY WARRANTIES OF MERCHANTABILITY OR FITNESS FOR A PARTICULAR PURPOSE. LASER AIMING SYSTEMS CORPORATION SHALL NOT BE LIABLE FOR INCIDENTAL, CONSEQUENTIAL OR SPECIAL DAMAGES ARISING OUT OF OR IN CONNECTION WITH PRODUCT USE OR PERFORMANCE. For service or repair, return unit UPS prepaid with a copy of the sales receipt to Laser Aiming Systems Corporation.



viridian®

GREEN LASER SIGHTS

5929 BAKER ROAD, SUITE 440 MINNETONKA, MN 55345 USA
800-990-9390 VIRIDIANGREENLASER.COM