



# TABLE OF CONTENTS

---

## GENERAL INFO

- 3 SAFETY
- 4 WARNINGS
- 6 MAINTENANCE
- 7 ZEROING
- 9 ECR® TECHNOLOGY
- 10 WARRANTY INFO
- 11 SERVICE INFO

## C SERIES

- 13 C SERIES™ DIAGRAM
- 14 GENERAL INFO
- 15 BATTERY INSTALLATION
- 16 RAIL SET INFO
- 17 CHANGING RAIL SET
- 18 MOUNTING
- 19 DISMOUNTING

### CTL

- 20 OPERATION
- 21 CTL TABLE

### C5 / C5L® / C5L-R / C5-R

- 23 OPERATION
- 24 C5 / C5L® / C5L-R TABLE

## X SERIES

- 27 X SERIES™ DIAGRAM
- 28 GENERAL INFO
- 29 BATTERY INSTALLATION
- 30 CHANGING RAIL SET
- 31 MOUNTING
- 32 DISMOUNTING

### X5L® / X5L-R

- 33 OPERATION

### X5L-RS

- 36 OPERATION

### XTL

- 39 OPERATION



# CONGRATULATIONS

on your purchase of a Viridian®, the finest and most visible laser sight/tactical light available.

Please read and follow the instructions in this manual to get the most out of your Viridian®.

## **DO NOT RETURN THIS PRODUCT TO THE STORE!**

If you experience any problems with your product or are missing parts, please contact us for assistance. We want to help you! **SUPPORT@VIRIDIANGREENLASER.COM** or call **1-800-990-9390**.

# SAFETY SUMMARY

**DO NOT** stare into the laser beam.

**DO NOT** look into the laser beam through binoculars or telescopes.

**DO NOT** point the beam at mirror-like surfaces.

**DO NOT** shine the laser beam into or near anyone's eyes.

**DO NOT** point the laser at any person, animal, or moving vehicle, including aircraft.

## VIRIDIAN GREEN® WARNING LABEL

Output Power: <5 mW  
Wavelength: 532nm  
Class IIIa Laser Product



## ELITE RED™ WARNING LABEL

Output Power: <5 mW  
Wavelength: 635nm  
Class IIIa Laser Product



# WARNINGS

1. Before handling any firearm with a Viridian®, read and understand the entire contents of your firearm manual provided as well as the Viridian® manual, especially the safety precautions and procedures for safe firearms handling.
2. Failure to follow the correct safety precautions and safe firearms handling techniques outlined in your firearm and Viridian® operator's manuals when handling a firearm with the Viridian® can result in serious injury, damage to property, or death.
3. Always practice safe firearms handling techniques when handling a firearm with or without the Viridian®.

4. Never point a firearm, with or without the Viridian® attached, at anything or anyone that you do not intend to shoot.
5. Once the Viridian® is attached to a firearm, the firearm will be pointed at anything to which the Viridian® is directed. Do not point the Viridian® at anything or anyone that you do not intend to shoot.
6. The activation buttons on the Viridian® allow you to operate the laser without placing your finger inside the trigger guard. Always keep your fingers off the trigger and outside the trigger guard until you are ready to fire the weapon.
7. Always verify that the chamber of the weapon is empty or “clear” before attempting to mount or dismount the Viridian®. Follow the “clearing” procedures as set forth in the manual for your firearm.

8. Always remove the Viridian® from the firearm when performing maintenance or cleaning of the Viridian®.

9. Always make sure the weapon is “clear” and on safe before making windage / elevation adjustments.

10. Failure to follow any of the safety warnings listed above when handling a firearm and/or the Viridian® can be dangerous and can result in serious injury, damage to property, or death.

11. Do not operate the Viridian® around cleaning solvents or flammable / combustible materials. Avoid use of the Viridian® in environments involving a flammable atmosphere or gasses, such as evaporated gasoline. Do not use the Viridian® in areas where gasoline, paints and solvents or other flammable liquids are stored.

12. The Viridian® should be tested periodically during periods of non-usage to ensure its proper functioning. When anticipating usage of and reliance upon the Viridian®, check the Viridian® before hand to ensure proper working order.

13. Proper functioning of the Viridian® is dependent upon an adequately charged battery. Use care when handling battery. Any battery may leak harmful chemicals which may damage skin, clothing, the Viridian®, or the gun itself. To avoid risk of injury, do not let any material leaked from a battery come in contact with eyes or skin. Do not expose battery to excessive heat. Follow battery manufacturers’ instructions as to proper handling, storage and disposal of battery.

# MAINTENANCE

## Front Lens Cleaning:

Use a moistened cotton swab to periodically clean the front lens of gun powder residue. This step is important to prevent any degradation in the quality of the aiming point and/or beam.

## Exterior Of Unit:

Clean the Viridian® by wiping with a soft, damp cloth. Standard gun cleaning solvents may be used to clean stubborn areas.

## Electrical Contacts:

For cleaning of all electrical contacts, use a cotton swab dipped in alcohol. To remove heavy build-up on the contacts, carefully rub with a standard pencil eraser (be sure to thoroughly remove eraser residue).

**X WARNINGS** ALWAYS CHECK TO SEE THAT THE CHAMBER OF THE WEAPON IS EMPTY OR “CLEAR” BEFORE ATTEMPTING TO MOUNT OR DISMOUNT THE VIRIDIAN®. FOLLOW THE “CLEARING” PROCEDURES AS SET FORTH IN THE MANUAL FOR YOUR FIREARM. MAKE SURE THE WEAPON IS CLEAR AND ON SAFE BEFORE PROCEEDING. PRIOR TO CLEANING, DISMOUNT THE VIRIDIAN® FROM YOUR WEAPON AND REMOVE THE BATTERIES. IT IS RECOMMENDED THAT YOU CLEAN YOUR ACCESSORIES PERIODICALLY TO ENSURE PROPER WORKING CONDITION.

**X CAUTION** DO NOT USE ACIDIC OR FLAMMABLE CLEANING COMPOUNDS.

# ZEROING PROCEDURES

**X WARNINGS** BEFORE HANDLING ANY FIREARM WITH THE VIRIDIAN®, READ AND UNDERSTAND THE ENTIRE CONTENTS OF YOUR FIREARM MANUAL AND THE VIRIDIAN® MANUAL, ESPECIALLY THE SAFETY PRECAUTIONS AND PROCEDURES FOR SAFE FIREARMS HANDLING.

ALWAYS CHECK TO SEE IF THE CHAMBER OF THE WEAPON IS EMPTY OR “CLEAR” BEFORE ATTEMPTING TO MOUNT OR DISMOUNT THE VIRIDIAN®. FOLLOW THE “CLEARING” PROCEDURES AS SET FORTH IN THE MANUAL FOR YOUR FIREARM.

**BE SURE OF YOUR TARGET AND BACKGROUND BEFORE FIRING. WHEN YOU SQUEEZE THE TRIGGER, YOU MUST EXPECT THE PISTOL TO FIRE AND YOU MUST TAKE FULL RESPONSIBILITY FOR FIRING IT.**

1. Set up a target with a clearly visible aiming point.
2. Mount the Viridian® onto the weapon's accessory mounting rail (see “Mounting” procedures for specific unit).
3. Turn ON the Viridian® (see “Operation” procedures for specific unit).

**X CAUTION** DO NOT FORCE WINDAGE AND ELEVATION SCREWS BEYOND THEIR INTENDED TRAVEL.



4. While aiming the pistol through the iron sights, use the provided adjustment tool to change the visible aiming point of the Viridian®. Turn the windage and elevation to superimpose the Viridian's® aiming point over the weapon's iron sight aiming point.
5. Aim and fire a three round shot group into the center of the target's aiming point.
6. Compare the impact point of the shot group to where the Viridian's® aiming point was on the target to ensure they line up.
7. Make the necessary adjustments to the Viridian® to ensure its aiming point and the shot group are aligned.
8. Turn the unit OFF.

*An alternative way to align the Viridian® is to hold the aiming point perfectly fixed to the center of the intended target and then adjust windage and elevation so that your aiming point is brought to the center of your previous shot grouping. The gun and the Viridian® must remain in a fixed position while making these adjustments.*

**X WARNING NEVER PUT YOUR HAND IN FRONT OF THE MUZZLE OF A FIREARM. ALWAYS KEEP YOUR FINGER AWAY FROM THE TRIGGER UNTIL YOU ARE READY TO FIRE. ALWAYS MAKE SURE THE WEAPON IS CLEAR AND ON SAFE BEFORE MAKING WINDAGE/ELEVATION ADJUSTMENTS.**

# ECR® TECHNOLOGY



With Enhanced Combat Readiness (**ECR® Instant-On™**) now part of every universal Viridian® laser / light and TacLoc® holster, you can achieve inhumanly fast

response to crisis. Just preset the Viridian® laser / taclight mode, slide your gun into your TacLoc® holster, and the ECR® Instant-On™ system is armed and ready. The instant your gun leaves the holster, the laser / light fires a brilliant beam that cuts through daylight or darkness as fast as you can draw.

With virtually unlimited laser and / or taclight modes, a wide range of TacLoc® holsters, and the breakthrough ECR® Instant-On™ system, Viridian® has elevated combat readiness to a whole new level. Draw-and-activate is obsolete.



**TACLOC™**  
LASER-READY AUTOLOCKING HOLSTER

# LIMITED WARRANTY

Viridian® warrants for 7 years after purchase that its products will be free from defects in material and workmanship. Viridian® will repair or replace, at its option, any product or part (with the exception of the battery) which is found to be defective under normal use and service, without charge. Viridian's® obligation to repair or replace, at Viridian's® option, shall be the purchaser's sole and exclusive remedy under this warranty.

Warranty does not cover battery leakage; contact battery manufacturer in this event. This warranty extends only to the original owner.

## VIRIDIAN® 7 YEAR LIMITED WARRANTY

**THERE ARE NO WARRANTIES, EXPRESS OR IMPLIED, OTHER THAN AS SET FORTH ON THIS PAGE, AND VIRIDIAN® DISCLAIMS ANY WARRANTIES OF MERCHANTABILITY OR FITNESS FOR A PARTICULAR PURPOSE. VIRIDIAN® SHALL NOT BE LIABLE FOR INCIDENTAL, CONSEQUENTIAL OR SPECIAL DAMAGES ARISING OUT OF OR IN CONNECTION WITH PRODUCT USE OR PERFORMANCE.**

For warranty questions or servicing of your product, please call **800.990.9390** or email customer service at **Support@ViridianGreenLaser.com**

Viridian is a registered trademark of Laser Aiming Systems Corporation. Viridian Green, Elite Red, ECR, Enhanced Combat Readiness, TacLoc, Radiance and Reactor are trademarks of Laser Aiming Systems Corporation. All rights reserved. ©2014 Patents Pending.

For service or repair, please call or email before returning unit.

Send to:



## **SERVICE**

**VIRIDIAN®**  
**5475 PIONEER CREEK DRIVE**  
**MAPLE PLAIN, MN 55359**

**ATTN: SERVICE / REPAIRS**  
**800-990-9390**  
**Support@ViridianGreenLaser.com**  
**FAX: 763-479-4089**



# C SERIES™

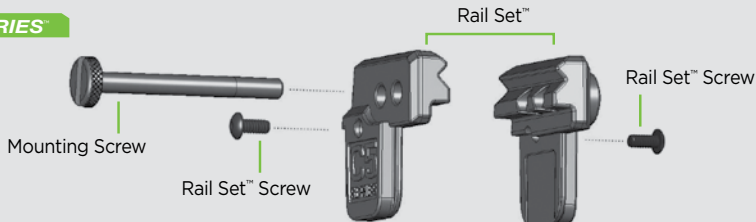
## TABLE OF CONTENTS

|    |                         |                                      |
|----|-------------------------|--------------------------------------|
| 13 | C SERIES™ DIAGRAM       | CTL                                  |
| 14 | GENERAL INFO            | 20 OPERATION                         |
| 15 | BATTERY<br>INSTALLATION | 21 CTL TABLE                         |
| 16 | RAIL SET INFO           | <hr/>                                |
| 17 | CHANGING<br>RAIL SET    | <b>C5 / C5L / C5L-R</b>              |
| 18 | MOUNTING                | 23 OPERATION                         |
| 19 | DISMOUNTING             | 24 C5 / C5-R / C5L* /<br>C5L-R TABLE |

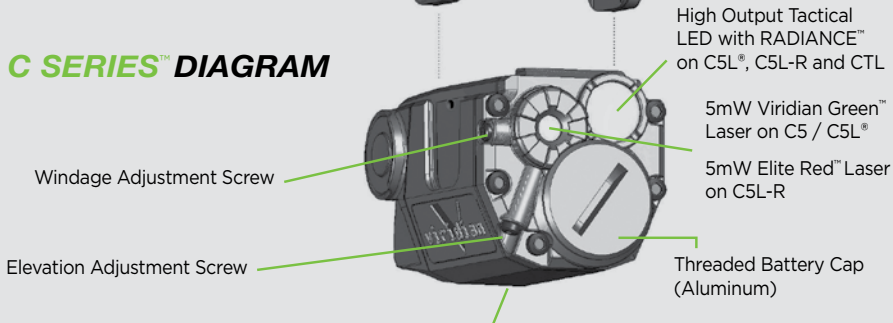
***FITS ALL PICATINNY RAILED PISTOLS  
INCLUDING SUBCOMPACTS***



## C SERIES™



## C SERIES™ DIAGRAM



Aircraft Grade Aluminum Housing on C5 / C5L®  
High Strength Polymer on C5L-R / C5-R / CTL

## GENERAL INFORMATION

Separate modes allow for individual laser recognition in tactical team situations.

**Constant** laser beam mode will give you the maximum laser visibility; however, using one of the laser **pulsing** modes will maximize battery life.

Battery life on the **Viridian Green**® models (with laser on only), will increase from approx. 4+ hours in **constant** to 7+ hours in the **pulsing** modes. With laser and tactical light on (high output) battery life will be approximately 60 minutes.

Battery life on the **Elite Red**™ model is 20+ hours in **constant** laser beam mode, 35+ hours **pulsing** laser, 75 minutes laser / light.

Your Viridian® is equipped with APC circuitry. This maintains constant laser power output for a consistently bright aiming point.

In the event of excess internal heat buildup you may temporarily experience reduced laser power output. This is by design and will not damage your laser. This condition may be more prevalent with heavy use of the LED while the laser is on or in extremely hot environments.

## BATTERY INSTALLATION

1. Your Viridian's® CR2 battery resides within the housing located at the bottom front of your Viridian®. This battery design allows you to change your battery without removing your Viridian® from your firearm.  
**(See Page 13)**
2. To access the Battery Compartment simply turn the Threaded Battery Cap (Aluminum) counterclockwise and remove.
3. Slide the CR2 Battery (3 Volt Lithium) into the housing positive side (+) first. Once the battery is in place, the positive side (+) should be to the back, and the negative side (-) to the front of your Viridian®.

4. To secure battery into place, line up the threading of the Battery Cap with the hole in the front of your housing and turn clockwise until the Battery Cap reaches its stopping point, fully seating the O-ring seal.

**X CAUTION** TO REMOVE OR INSTALL THE THREADED BATTERY CAP OF THE C SERIES HOUSING TAKE CARE TO PROPERLY LINE UP THE THREADS SO AS TO NOT DAMAGE THE INTERNAL THREADING OF YOUR VIRIDIAN®. A QUARTER OR PENNY WORKS WELL TO REMOVE OR INSTALL THIS FRONT CAP.

**X CAUTION** TEST VIRIDIAN® PERIODICALLY DURING PERIODS OF NON-USAGE TO ENSURE ADEQUATE BATTERY LEVELS.



## C SERIES™ RAIL SET INFO

C SERIES™

R1

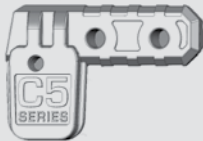


**EXAMPLE:**

**SPRINGFIELD XD/XDM**

**SMITH & WESSON M&P**

R2



**GLOCKS WITH RAILS**

**STANDARD PICATINNY**

R3



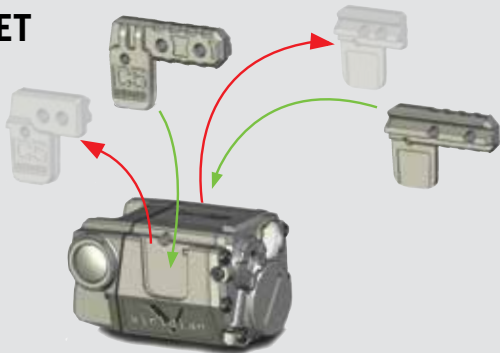
**MANY TAURUS MODELS**

These 3 Rail Sets™ are included with your Viridian® C Series™ and will allow mounting for the vast majority of railed firearms. For handguns, choose the Rail Set™ that will allow the Viridian® to be set back and as close to the trigger guard as possible.

For more information or to purchase Viridian® Rail Sets™ for harder to fit weapons (such as HK USP) please visit us online at [www.ViridianGreenLaser.com](http://www.ViridianGreenLaser.com).

## CHANGING THE RAIL SET

1. Using the adjustment tool, unscrew Rail Set™ Screw on each side of Viridian®
2. Remove each Rail Set™ by pulling upward
3. Insert new Rail Set™ on each side of Viridian®
4. Lightly tighten each Rail Set™ Screw (premature tightening of Rail Set™ Screws may prevent Viridian® installation onto rail of your firearm)



**YOU ARE NOW READY TO INSTALL YOUR VIRIDIAN® ONTO THE RAIL OF YOUR FIREARM.**

**Once your Viridian® is properly mounted onto your firearm, full tightening of Rail Set™ Screws will further ensure a rock solid hold. Do not overtighten Rail Set™ Screws.**

## MOUNTING

1. Align the grooves within the Rail Set™ of your Viridian® with the grooves on the rail of your firearm and slide rearward until your Viridian® reaches the front of your firearm's trigger guard.

**Note:** *Some rails may require the Rail Set™ screws to be loosened before sliding unit on to rail. Re-tighten screws after placement.*

2. If you have the proper Rail Set™ installed for your firearm, one set of holes within the sides of the Rail Set™ should align with the Cross Slot of the accessory rail under your firearm. It is OK to slide your Viridian® slightly forward (away from the trigger guard) to achieve this alignment.

3. Insert the Mounting Screw and turn it clockwise until firmly tightened. A flat head screw driver or coin can be used here.

**X WARNING** NEVER PUT YOUR HAND IN FRONT OF THE MUZZLE OF A FIREARM. ALWAYS KEEP YOUR FINGER AWAY FROM THE TRIGGER UNTIL YOU ARE READY TO FIRE. ALWAYS MAKE SURE THE WEAPON IS CLEAR AND ON SAFE BEFORE ATTEMPTING TO MOUNT OR DISMOUNT FROM YOUR WEAPON.

## DISMOUNTING

1. To dismount the Viridian® from your weapon, turn the Mounting Screw counterclockwise until this screw is removed from your Viridian®. Store your Mounting Screw in a secure place such as your provided Viridian® tool box.
2. Your Viridian® is now ready to be removed from your handgun. Slide the Viridian® forward and away from the trigger guard to remove it from your weapon. Always take great care to NEVER put your hand in front of the muzzle of your firearm.

**X WARNING** NEVER PUT YOUR HAND IN FRONT OF THE MUZZLE OF A FIREARM. ALWAYS KEEP YOUR FINGER AWAY FROM THE TRIGGER UNTIL YOU ARE READY TO FIRE. ALWAYS MAKE SURE THE WEAPON IS CLEAR AND ON SAFE BEFORE ATTEMPTING TO MOUNT OR DISMOUNT FROM YOUR WEAPON.

## CTL OPERATION

The Viridian® CTL has unprecedented user programmability options.

Your CTL's activation is completely ambidextrous. Simply press either right or left button to activate or deactivate your Viridian® CTL in any of its modes.

Holding either button in for longer than 3/4 second will activate your Viridian® in momentary mode. In this case your Viridian® will turn off upon release of the button.

In the event your Viridian® is accidentally left on, it will shut down in approximately 10 minutes after a brief warning period.

If you wish to keep the power on, simply press either button. This will reset the power down timer.

The Viridian® CTL has 2 unique user modes ([See Page 21](#)). To cycle through these modes simply **press and quickly release both right and left buttons at the same time** while the unit is on.

For those that desire even more user programmed versatility, **hold down both buttons for 3 seconds to engage Deep Programming Mode**. This will allow customized frequencies of tactical light strobe rates as well as adjustable LED lumen output.

## CTL TABLE

| MODE* | LIGHT    | DEEP PROGRAMMING**   |
|-------|----------|--|
| 1     | Constant | <b>LIGHT DIMMER</b> - Starts at high lumen, steps down to medium, then low, then back to high, each step is approximately ½ second   |
| 2     | Strobe   | <b>LIGHT FREQUENCY OF STROBE</b> - Starts at an ideal 20Hz*** steadily proceeds upward until peak of 40Hz, ½ second pause****, jumps to bottom at 1Hz, ½ second pause, then proceeds up to ideal 20Hz, ½ second pause and then repeats |

The Viridian® CTL features a high output strobe mode. This mode is ideal for situations where a disorienting effect is desired. When in strobe mode, the Viridian® CTL's output boosts from 100 lumens (constant light mode) to 140 lumens.

\*To change modes press and release both buttons at the same time while the unit is on.

\*\*To enter Deep Programming mode hold down both buttons for greater than 3 seconds. Continue to hold down both buttons to observe these Deep Programming changes. Release both buttons to lock in your Deep Programming change.

\*\*\*Hz or Hertz is a unit of frequency and is defined as the number of cycles per second. As referenced here it is the number of light pulses per second.

\*\*\*\*The ½ second pause is to allow you a moment to release both buttons so you know you are at either the bottom, ideal, or top frequency.

Your operating mode selections and Deep Programming setting will always be stored for the next use of your Viridian®.

**Removing the battery will return your Viridian® to factory default settings. (Mode 1 Constant Light Only)**

**X WARNING NEVER PUT YOUR HAND IN FRONT OF THE MUZZLE OF A FIREARM. ALWAYS KEEP YOUR FINGER AWAY FROM THE TRIGGER UNTIL YOU ARE READY TO FIRE. ALWAYS MAKE SURE THE WEAPON IS CLEAR AND ON SAFE BEFORE MOUNTING OR DISMOUNTING ANY ACCESSORY ONTO YOUR FIREARM.**

## C5 / C5-R / C5L / C5L-R

### OPERATION / SMARTLASER TECHNOLOGY™

The Viridian® C5 / C5L® / C5L-R all have unprecedented user programmability options never seen before in a commercially available weapon mounted device.

Your Viridian's® activation is completely ambidextrous. Simply press either right or left button to activate or deactivate your Viridian® C5 / C5-R / C5L® / C5L-R in any of its modes.

Holding either button in for longer than 3/4 second will activate your Viridian® in momentary mode. In this case your Viridian®

will turn off upon release of the button. In the event your Viridian® is accidentally left on, it will shut down in approximately 10 minutes after a brief warning period. If you wish to keep the power on, simply press either button. This will reset the power down timer.

The Viridian® C5L® / C5L-R has a total of 6 unique user modes and the Viridian® C5 / C5-R has two unique user modes (See Page 24). To cycle through these modes simply **press and quickly release both right and left buttons at the same time** while the unit is on.

For those that desire even more user programmed versatility, **hold down both buttons for 3 seconds to engage Deep Programming Mode**. This will allow customized frequencies of pulse rates of both light and laser as well as adjustable LED lumen output.



## MODE\* LASER LIGHT DEEP PROGRAMMING\*\* C5 / C5-R / C5L\* / C5L-R

|   |          |          |  |
|---|----------|----------|--|
| 1 | Constant |          | NA   |
| 2 | Constant | Constant | <b>LIGHT DIMMER</b> - Starts at high lumen, steps down to medium, then low, then back to high, each step is approximately ½ second   |
| 3 | Constant | Strobe   | <b>LIGHT FREQUENCY OF STROBE</b> - Starts at an ideal 20Hz*** steadily proceeds upward until peak of 40Hz, ½ second pause****, jumps to bottom at 1Hz, ½ second pause, then proceeds up to ideal 20Hz, ½ second pause and then repeats |
| 4 | Pulse    |          | <b>LASER FREQUENCY OF PULSE</b> - Starts at ideal 10Hz, steadily proceeds upward until peak of 20Hz, ½ second pause, jumps to bottom at 1Hz, then proceeds up to ideal 10Hz, ½ second pause and then repeats                           |
| 5 | Pulse    | Constant | <b>LIGHT DIMMER</b> - Starts at high lumen, steps down to medium, then low, then back to high, each step is approximately ½ second   |
| 6 |          | Constant | <b>LIGHT DIMMER</b> - Starts at high lumen, steps down to medium, then low, then back to high, each step is approximately ½ second   |

☐ VIRIDIAN® C5 / C5-R (LASER WITHOUT LIGHT) OPERATION FOLLOWS MODES 1 AND 4 ONLY

\*To change modes press and release both buttons at the same time while the unit is on.

\*\*To enter Deep Programming mode hold down both buttons for greater than 3 seconds. Continue to hold down both buttons to observe these Deep Programming changes. Release both buttons to lock in your Deep Programming change.

\*\*\*Hz or Hertz is a unit of frequency and is defined as the number of cycles per second. As used here it is the number of pulses per second whether light or laser.

\*\*\*\*The ½ second pause is to allow you a moment to release both buttons so you know you are at either the bottom, ideal, or top frequency.

Your Laser / Light mode selections and Deep Programming setting will always be stored for the next use of your Viridian®.

**Removing the battery will return your Viridian® to factory default settings. (Mode 1 Constant Laser Only)**

**X WARNING NEVER PUT YOUR HAND IN FRONT OF THE MUZZLE OF A FIREARM. ALWAYS KEEP YOUR FINGER AWAY FROM THE TRIGGER UNTIL YOU ARE READY TO FIRE. ALWAYS MAKE SURE THE WEAPON IS CLEAR AND ON SAFE BEFORE MOUNTING OR DISMOUNTING ANY ACCESSORY ONTO YOUR FIREARM.**



# **X SERIES™**

## **TABLE OF CONTENTS**

|           |                                 |                            |
|-----------|---------------------------------|----------------------------|
| <b>27</b> | <b>X SERIES™ DIAGRAM</b>        | <b>X5L™ / X5L-R</b>        |
| <b>28</b> | <b>GENERAL INFO</b>             | <b>33</b> <b>OPERATION</b> |
| <b>29</b> | <b>BATTERY<br/>INSTALLATION</b> | <hr/>                      |
| <b>30</b> | <b>CHANGING RAIL SET</b>        | <b>X5L-RS</b>              |
| <b>31</b> | <b>MOUNTING</b>                 | <b>36</b> <b>OPERATION</b> |
| <b>32</b> | <b>DISMOUNTING</b>              | <hr/>                      |
|           |                                 | <b>XTL</b>                 |
|           |                                 | <b>39</b> <b>OPERATION</b> |

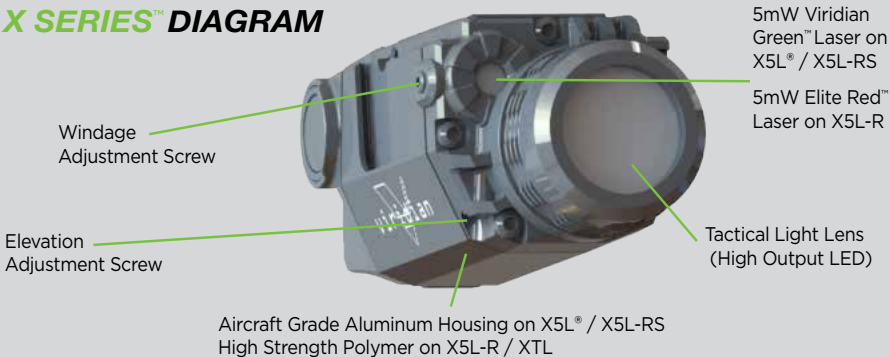


***FITS ALL FULL SIZED RAILED PISTOLS***

## X SERIES™



## X SERIES™ DIAGRAM



## GENERAL INFORMATION

Separate modes allow for individual laser recognition in tactical team situations.

**Constant** beam mode will give you the maximum laser visibility; however, using one of the laser **pulsing** modes will maximize battery life.

Battery life on the **Viridian Green™** X5L® / X5L-RS (with laser on only), will increase from approx. 6 hours in constant to 10+ hours in **pulsing** mode. With laser and tactical light on (high output) battery life will be approximately 60 minutes.

Battery life on the **Elite Red™** X5L-R model is 30+ hours in **constant** laser beam mode, 45+ hours **pulsing** laser, 90 minutes laser / light.

Battery life on XTL is 60 minutes on constant and 90 minutes on strobe at high power.

Your Viridian® is equipped with APC circuitry. This maintains constant laser power output for a consistently bright aiming point. In the event of excess internal heat buildup you may temporarily experience reduced laser power output. This is by design and will not damage your laser. This condition may be more prevalent with heavy use of the LED while the laser is on or in extremely hot environments.

## BATTERY INSTALLATION

1. Your Viridian's® CR123A battery resides within the housing located behind the Tactical Light Lens on your Viridian®. This battery design allows you to change your battery without removing your Viridian® from your firearm. **(See Page 27)**
2. To access the Battery Compartment simply turn the Tactical Light Lens counterclockwise and remove.
3. Slide the CR123A Battery (3 Volt Lithium) into the housing positive side (+) first. Once the battery is in place, the positive side (+) should be to the back, and the negative side (-) to the front of your Viridian®.

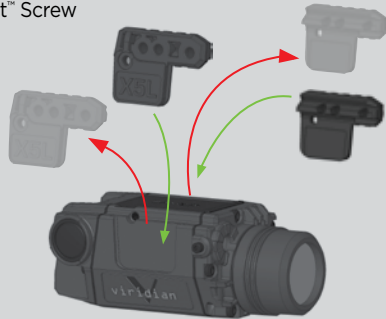
4. To secure battery into place, line up the Tactical Light Lens with the Faceplate and turn clockwise until it reaches its stopping point.

**X CAUTION TEST VIRIDIAN®  
PERIODICALLY DURING PERIODS  
OF NON-USAGE TO ENSURE  
ADEQUATE BATTERY LEVELS.**

## CHANGING THE RAIL SET

For more information or to purchase Viridian® Rail Sets™ for harder to fit weapons (such as HK USP), please visit us online at [www.ViridianGreenLaser.com](http://www.ViridianGreenLaser.com).

1. Using the adjustment tool, unscrew Rail Set™ Screw on each side of Viridian®
2. Remove each Rail Set™ by pulling upward
3. Insert new Rail Set™ on each side of Viridian®
4. Lightly tighten each Rail Set™ Screw (premature tightening of Rail Set™ Screws may prevent Viridian® installation onto rail of your firearm)



**YOU ARE NOW READY TO INSTALL YOUR VIRIDIAN® ONTO THE RAIL OF YOUR FIREARM.** Once your Viridian® is properly mounted onto your firearm, full tightening of Rail Set™ Screws will further ensure a rock solid hold. **DO NOT OVERTIGHTEN RAIL SET™ SCREWS.**

## MOUNTING

1. Align the grooves within the Rail Set™ of your Viridian® with the grooves on the rail of your firearm and slide rearward until your Viridian® reaches the front of your firearm's trigger guard.

*Note: Some rails may require the Rail Set™ screws to be loosened before sliding unit on to rail. Re-tighten screws after placement.*

2. Due to multiple hole positions on the pre-installed Rail Set™, one set of holes within the sides of the Rail Set™ should align with the cross slot of the accessory rail under your firearm. It is OK to slide your Viridian® slightly forward (away from the trigger guard) to achieve this alignment.

3. Insert the Mounting Screw and turn it clockwise until firmly tightened. A flat head screw driver or coin can be used here.

**X WARNING ALWAYS MAKE SURE THE WEAPON IS CLEAR AND ON SAFE BEFORE ATTEMPTING TO MOUNT OR DISMOUNT VIRIDIAN® FROM YOUR WEAPON. NEVER PUT YOUR HAND IN FRONT OF THE MUZZLE OF A FIREARM. ALWAYS KEEP YOUR FINGER AWAY FROM THE TRIGGER UNTIL YOU ARE READY TO FIRE.**



## DISMOUNTING

1. To dismount the Viridian® from your weapon, loosen and remove the Mounting Screw in a counterclockwise direction. Store your Mounting Screw in a secure place such as the provided Viridian® tool box.
2. Your Viridian® is now ready to be removed from your handgun. Slide the Viridian® forward and away from the trigger guard to remove it from your weapon. Slight loosening of both Rail Set Screws™ may ease removal of unit. Always take great care to NEVER put your hand in front of the muzzle of your firearm.

**X WARNING** ALWAYS MAKE SURE THE WEAPON IS CLEAR AND ON SAFE BEFORE ATTEMPTING TO MOUNT OR DISMOUNT VIRIDIAN® FROM YOUR WEAPON. NEVER PUT YOUR HAND IN FRONT OF THE MUZZLE OF A FIREARM. ALWAYS KEEP YOUR FINGER AWAY FROM THE TRIGGER UNTIL YOU ARE READY TO FIRE.

## X5L / X5L-R

### OPERATION / SMARTLASER TECHNOLOGY™

The Viridian® X5L® / X5L-R has unprecedented user programmability options never seen before in a commercially available weapon mounted device.

Your Viridian's® activation is completely ambidextrous. Simply press either right or left button to activate or deactivate your Viridian® X5L® / X5L-R in any of its modes.

Holding either button in for longer than 3/4 second will activate your Viridian® in momentary mode. In this case your Viridian® will turn off upon release of the button.

In the event your Viridian® is accidentally left on, it will shut down in approximately 10 minutes after a brief warning period. If you wish to keep the power on, simply press either button. This will reset the power down timer.

The Viridian® X5L® / X5L-R has a total of 6 unique user modes (**See Page 34**). To cycle through these modes simply **press and quickly release both right and left buttons** at the same time while the unit is on.

For those that desire even more user programmed versatility, hold down **both buttons for 3 seconds** to engage Deep Programming Mode. This will allow customized frequencies of pulse rates of both light and laser as well as adjustable LED lumen output.

**MODE\* LASER LIGHT DEEP PROGRAMMING\*\* X5L° / X5L-R**

|   |          |          |   |
|---|----------|----------|---|
| 1 | Constant |          | NA  |
| 2 | Constant | Constant | <b>LIGHT DIMMER</b> - Starts at highest lumen, steps down to medium, then low, then back to high, each step is approximately ½ second   |
| 3 | Constant | Strobe   | <b>LIGHT FREQUENCY OF STROBE</b> - Starts at an ideal 20Hz <sup>***</sup> steadily proceeds upward until peak of 40Hz, ½ second pause <sup>****</sup> , jumps to bottom at 1Hz, ½ second pause, then proceeds up to ideal 20Hz, ½ second pause and then repeats |
| 4 | Pulse    |          | <b>LASER FREQUENCY OF PULSE</b> - Starts at ideal 10Hz, steadily proceeds upward until peak of 20Hz, ½ second pause, jumps to bottom at 1Hz, then proceeds up to ideal 10Hz, ½ second pause and then repeats  |
| 5 | Pulse    | Constant | <b>LIGHT DIMMER</b> - Starts at highest lumen, steps down to medium, then low, then back to high, each step is approximately ½ second   |
| 6 |          | Constant | <b>LIGHT DIMMER</b> - Starts at highest lumen, steps down to medium, then low, then back to high, each step is approximately ½ second   |

\*To change modes press and release both buttons at the same time while the unit is on.

\*\*To enter Deep Programming mode hold down both buttons for greater than 3 seconds. Continue to hold down both buttons to observe these Deep Programming changes. Release both buttons to lock in your Deep Programming change.

\*\*\*Hz or Hertz is a unit of frequency and is defined as the number of cycles per second. As used here it is the number of pulses per second whether light or laser.

\*\*\*\*The ½ second pause is to allow you a moment to release both buttons so you know you are at either the bottom, ideal, or top frequency.

Your Laser / Light mode selections and Deep Programming setting will always be stored for the next use of your Viridian®.

**Removing the battery will return your Viridian® to factory default settings. (Mode 1 Constant Laser Only)**

**X WARNING NEVER PUT YOUR HAND IN FRONT OF THE MUZZLE OF A FIREARM. ALWAYS KEEP YOUR FINGER AWAY FROM THE TRIGGER UNTIL YOU ARE READY TO FIRE. ALWAYS MAKE SURE THE WEAPON IS CLEAR AND ON SAFE BEFORE MOUNTING OR DISMOUNTING ANY ACCESSORY ONTO YOUR FIREARM.**

## X5L-RS OPERATION / SMARTLASER TECHNOLOGY™

The Viridian® X5L-RS has unprecedented user programmability options never seen before in a commercially available weapon mounted device.

The Viridian® X5L-RS is controlled using a **two-button pressure switch** along with a **rotary dial** for selecting modes.

To install pressure switch take care to line up the flat edge of both the pressure switch plug and main X5L-RS housing.



Also make sure the contact pins in the housing are lined up correctly with holes in the pressure switch plug.

An infinite amount of customizable modes are possible with the unique two-button pressure pad and rotary dial. The rotary dial has **10 positions** to select from.

The top position (represented by an “O”) is the master off position. **Your unit will not operate if the dial is set to -O-.**

# X5L-RS



## LEFT SIDE OF DIAL

The left side of the rotary dial represents the users constant-on control settings. All four modes on this side of the dial, once turned on, will remain on until turned off.

## RIGHT SIDE OF DIAL

The right side of the rotary dial represents the users momentary control. When either button is pressed and held down the unit will activate. When the button is let go, the unit will turn off.

|           | SELECTOR POSITION | BUTTON #1  | BUTTON #2  |
|-----------|-------------------|--|--|
| MOMENTARY | 0                 | Master off position. Unit will not operate.                                      |  |
|           | 1                 | Laser Only   | Laser Only   |
|           | 2                 | Light Only   | Light Only   |
|           | 3                 | Laser / Light  | Laser / Light  |
|           | 4                 | Laser Only   | Light Only   |
| CONSTANT  | A                 | Laser Only   | Laser Only   |
|           | B                 | Light Only   | Light Only   |
|           | C                 | Laser / Light  | Laser / Light  |
|           | D                 | Laser Only   | Light Only   |
|           | P                 | Select between Constant or Pulsing <b>LASER</b> for all other Selector Positions | Select between Constant or Pulsing <b>LIGHT</b> for all other Selector Positions |

**THE TENTH AND FINAL MODE A USER MAY SELECT IS AT THE BOTTOM OF THE ROTARY DIAL—LABELED MODE “P”.**

This is a programming mode where a user can switch between constant laser / light and pulsing laser / light.

The default setting of the X5L-RS is constant laser / constant light and that will be how the unit is set when entering mode “P” for the first time. Simply hold down button 1 (closest to the cord) and the laser will begin pulsing.

To set pulse let go of button 1. Once this is done all laser settings on entire unit will be switched to pulsing laser. Use the same technique to set the tactical light strobe, but use button 2.

**X WARNING NEVER PUT YOUR HAND IN FRONT OF THE MUZZLE OF A FIREARM. ALWAYS KEEP YOUR FINGER AWAY FROM THE TRIGGER UNTIL YOU ARE READY TO FIRE. ALWAYS MAKE SURE THE WEAPON IS CLEAR AND ON SAFE BEFORE MOUNTING OR DISMOUNTING ANY ACCESSORY ONTO YOUR FIREARM.**

## XTL OPERATION

The Viridian® XTL has unprecedented user programmability options.

Your XTL's activation is completely ambidextrous. Simply press either right or left button to activate or deactivate your Viridian® XTL in any of its modes.

Holding either button in for longer than 3/4 second will activate your Viridian® in momentary mode. In this case your Viridian® will turn off upon release of the button.

In the event your Viridian® is accidentally left on, it will shut down in approximately 10 minutes after a brief warning period.

If you wish to keep the power on, simply press either button. This will reset the power down timer.

The Viridian® XTL has 2 unique user modes (See Page 40). To cycle through these modes simply **press and quickly release both right and left buttons at the same time** while the unit is on.

For those that desire even more user programmed versatility, **hold down both buttons for 3 seconds to engage Deep Programming Mode**. This will allow customized frequencies of tactical light strobe rates as well as adjustable LED lumen output.



## XTL TABLE

| MODE* | LIGHT    | DEEP PROGRAMMING**   |
|-------|----------|--|
| 1     | Constant | <b>LIGHT DIMMER</b> - Starts at high lumen, steps down to medium, then low, then back to high, each step is approximately ½ second   |
| 2     | Strobe   | <b>LIGHT FREQUENCY OF STROBE</b> - Starts at an ideal 20Hz*** steadily proceeds upward until peak of 40Hz, ½ second pause****, jumps to bottom at 1Hz, ½ second pause, then proceeds up to ideal 20Hz, ½ second pause and then repeats |

The Viridian® XTL features a high output strobe mode. This mode is ideal for situations where a disorienting effect is desired. When in strobe mode, the Viridian® XTL's output boosts from 338 lumens (constant light mode) to 418 lumens.





VIRIDIAN® IS A REGISTERED TRADEMARK OF LASER AIMING SYSTEMS CORPORATION. VIRIDIAN GREEN®, ELITE RED™, ECR®, ENHANCED COMBAT READINESS, TACLOC®, RADIANCE AND SMARTLASER TECHNOLOGY ARE TRADEMARKS OF LASER AIMING SYSTEMS CORPORATION. ALL RIGHTS RESERVED. © 2014 PATENTS PENDING.



DESIGNED & BUILT IN MINNESOTA

5475 PIONEER CREEK DRIVE MAPLE PLAIN, MN 55359 800-990-9390 VIRIDIANGREENLASER.COM